



1835 80 SERIES TELEPHONE ENTRY SYSTEM



Surface Mount

Flush Mount

Best suited for applications requiring complete Access control for up to 48 entry points, including Elevator control

- Provides both resident and visitor access control into apartment buildings, gated communities, condominiums, office buildings, factories and industrial sites
- Program from the DKS Cloud (requires DKS connection service subscription) with your laptop or tablet or from your dedicated PC using the Remote Account Manager software (free download at doorking.com/software).
- Voice and Data (programming) Connection over either Cellular, Internet, or copper POTS lines
- Built-In Electronic Directory
- Large easy-to-use A-Z-CALL Buttons
- Resident Access Control is provided by means of Cards, Digital PIN Codes, or Wireless Transmitters
- 2-Year Limited Factory Warranty



Voice and Remote Programming
use DKS service options for connection and programming



Expandable
Up to 48 wired access points or 24 wireless.



Internet Connection
A Plug and Play solution that provides both voice and data via your existing internet connection. *DKS subscription service required.



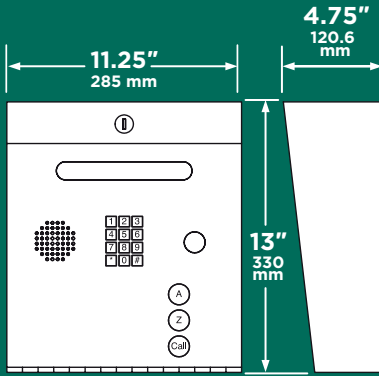
Internal LED
lit keypad and A-Z-CALL buttons.



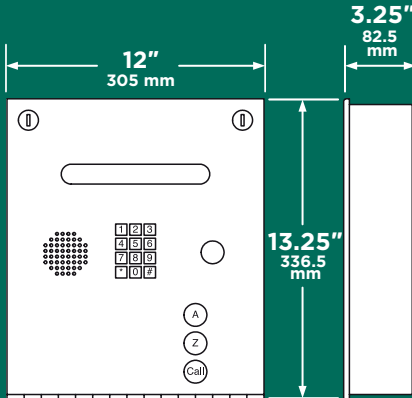
DKS Cloud Programming
available with DKS Cellular, VoIP Internet or IM Server subscriptions.



1835 80 SERIES TELEPHONE ENTRY SYSTEM



1835 Surface Mount



1835 Flush Mount

1835 80 SERIES

PHONE # MEMORY	3000 Phone Numbers, 255 Area Codes
ENTRY CODES	3000 (4-digit)
DEVICE CODES	8000
DOOR CONTROL	3 Entry Points*
DIRECTORY	Single-Line 20-Character Super-Twist LCD Display (1/2 inch characters)
ELEVATOR CONTROL	Yes
PROGRAMMING	DKS Cloud or a PC with Remote Account Manager Software**
TRANSACTION BUFFER	8000 Events

* Expands up to 48 with wired tracker boards; 24 with wireless tracker boards.

** DKS Remote Account Manager Software for PC is available as a free download at doorking.com/software. Cloud Account Manager Programming is available at doorking.com/easy-connect/programming/cloud

TECHNICAL FEATURES

MECHANICAL

- Stainless steel faceplate
- Galvanized steel sub-plate
- Metal keypad, with Internally lit LED keypad and A-Z-CALL buttons
- Offset speaker holes for protection
- Hands free voice operation (Optional handset)
- Surface and Flush mounting styles
- Flush mount requires flush mounting kit
- Enclosures are rated NEMA 4x

CONNECTION OPTIONS¹

- Cellular powered by AT&T 4G LTE
- Internet select DK VoIP or your own VoIP provider
- POTS Plain Old Telephone Service²
- 1. Connection options noted will incur additional cost for required hardware and/or service subscriptions. DKS Cloud programming included at no charge with DKS connection subscriptions.
- 2. POTS connection is not recommended for programming as modem communications can no longer be guaranteed.

SPECIFICATIONS

- Single-Line 20 character Super-Twist LCD Display (1/2 inch characters)
- 16 VAC (2 Power Transformers included)
- Full Duplex Voice Communication
- Stores up to 3000 Phone Numbers, 255 Area Codes
- Max 8000 Wiegand Device (card codes), 10 Facility Codes
- Transaction Buffer stores last 8000 Events
- Control 3 Entry Points, expandable to 48 with Tracker Expansion Boards
- Programmable Directory Codes (1 to 4 digits)
- 10 & 11-Digit Dialing Capability
- 31 Security (permission) Levels, 29 programmable with 4 Time Zones each
- 32 Holiday Schedules
- 4-Digit Entry Codes
- Built-In Clock / Calendar
- 8 Hold Open Time Zones
- Entry Code Time Zones
- True Anti-Pass Back
- Live Transactions feature (requires TCP/IP internet connection or RS-232 connection)

MISCELLANEOUS

- Environmental: 10°F to 145°F (-12°C to 62°C)
- Heater Kit (P/N 2600-584) recommended when temperatures routinely fall below 10°F (-12°C)
- ADA Compliant Handset Kit (P/N 1807-012)
- Camera Ready: Optional B&W or Color CCTV Camera*
- *may require additional CCTV equipment
- Shipping weight approximately 20-25 lb (9-11 kg)



FCC (US) DUF6VT-12874-OT-T
DOC (CAN) 1736 4528 A

AT&T, the AT&T logo and all other AT&T marks contained herein are trademarks of AT&T Intellectual Property and/or AT&T affiliated companies.

DoorKing® Inc.

Access Control Solutions since 1948



120 S. Glasgow Avenue,
Inglewood, California 90301 U.S.A.
Tel: 310-645-0023 FAX: 310-641-1586
www.doorking.com

© 2020 All Rights Reserved.
Product specifications may change without notice. Rev. 12/20



MEMBER:



DISTRIBUTED BY:

